



UNITED NATIONS INDUSTRIAL DEVELOPMENT ORGANIZATION
ORGANISATION DES NATIONS UNIES POUR LE DEVELOPPEMENT INDUSTRIEL

TERMS OF REFERENCE

UPGRADING THE FISHERY SECTOR IN SOUTH SUDAN

**CONSTRUCTION OF A FISH SMOKING FACILITY AT REI, ALE ZOKA
WOMEN'S BUSINESS CENTRE, NIMULE SOUTH SUDAN**

1. Background

The vast and highly productive Nile River ecosystem in the Republic of South Sudan (RSS) harbours a significant, but unknown, amount of fish and supports a simple fisheries value chain that has the potential to create employment and positively impact food security in South Sudan.

An inland artisanal fishery exists around lakes, rivers and floodplains with fisher folk mainly using traditional fishing methods that limit their ecological impact. Much of these fisheries are seasonal with fisher folk dividing their time and labour between fishing, crop farming and livestock. These fisher folk and their fishing communities are amongst the most poor and least resilient social group to livelihood shocks and make up a significant part of the severely food insecure households in the country.

This project addresses fishing communities and actors along the entire fisheries value chain, improving food security (in rural households, in particular), creating jobs and the establishment of alternative income generating activities as means to support small-scale business development and women empowerment in South Sudan.

The establishment of women's business and processing facilities in multiple locations is helping to provide additional income in fishing communities. One of the income-generating activities identified is the processing of fish through smoking. Smoking ovens are currently non-existent in some locations or are poorly constructed in others, leaving poor quality fish products. As a result, the project, in collaboration with the communities, and the state Ministry of Agriculture, Forestry, Animal Resources and Fisheries, is constructing fish smoking ovens in selected locations. The ovens will be accompanied by training in Good Hygienic Practices and technical training on producing high quality fish products.

2. OBJECTIVE OF THE CONTRACT

The objective of the contract is to construction a fish smoking oven, fish processing platform and a shade at Ale Zoka Women's Business Centre, Nimule, South Sudan.

3. SCOPE OF SERVICES TO BE PROVIDED

Provision of all inputs and construction of fish smoking facility as per technical drawings and bill of quantities (BOQ) including specifications. Training of beneficiaries on how to construct the smoking oven and associated maintenance are included in this contract.

4. PROPOSAL FORMULATION AND COST BREAKDOWN

4.1 Language of the proposal

Pease use the attached template and submit a hard copy of the offer/quotation to:

Attn: Victor Cobby Baah
UNIDO Fisheries Project
Project Office
UNDP Compound, Ministries Road
Juba – South Sudan

4.2 Submission date

No offers/quotations will be accepted after 17:00 Juba local time on Friday, 18 August 2017.

5. TECHNICAL EVALUATION CRITERIA

The following criteria will be applied for evaluating the proposals:

- Legally authorised to undertake such work in South Sudan.
- Experience with small-scale construction activities.
- Understanding of scope of activities.

6. LIST OF ANNEXES

- Annex I – Bill of quantities
- Annex II - Technical drawings of fish smoking facility

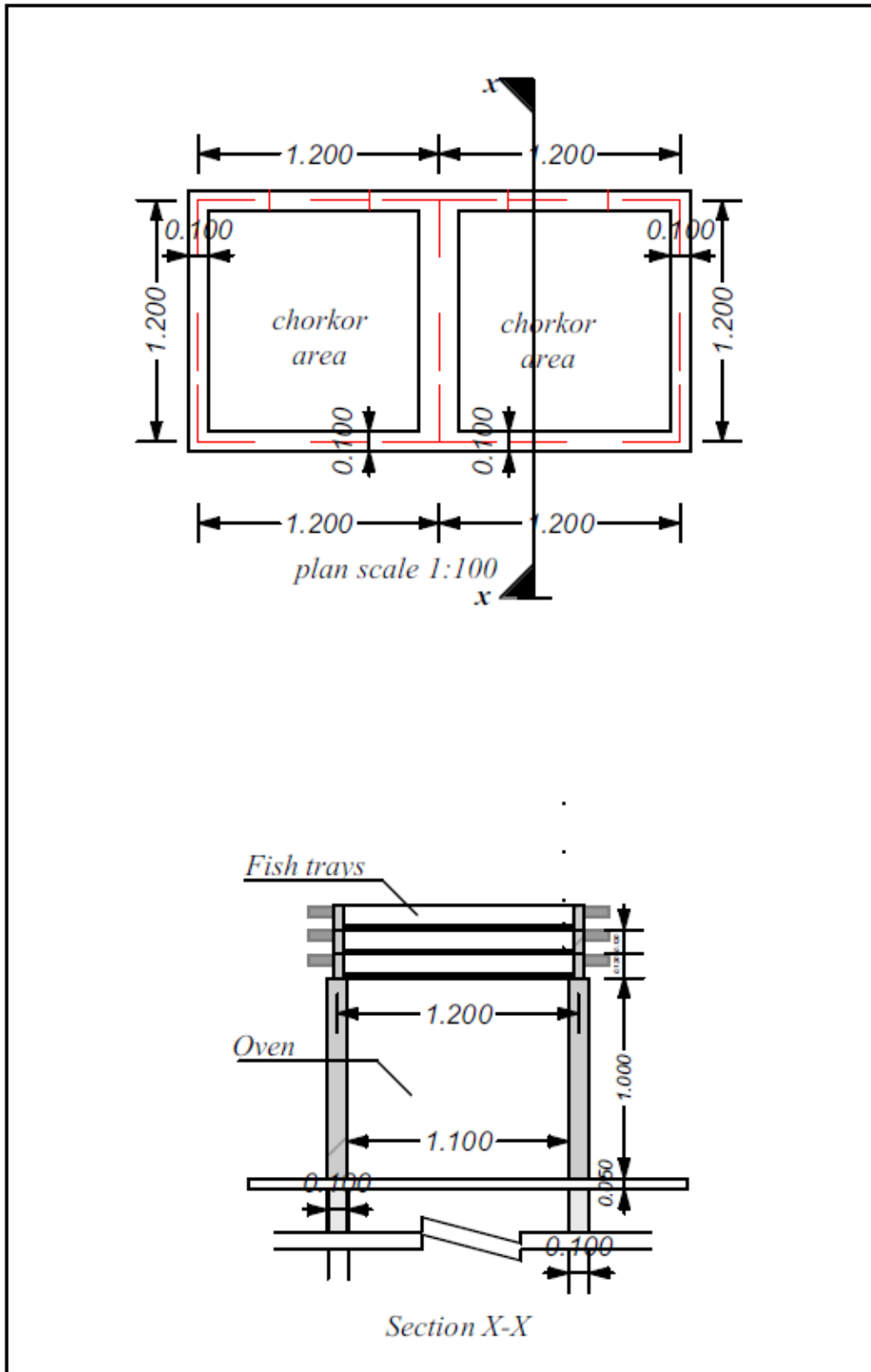
Annex I – Bill of Quantities (BOQ).

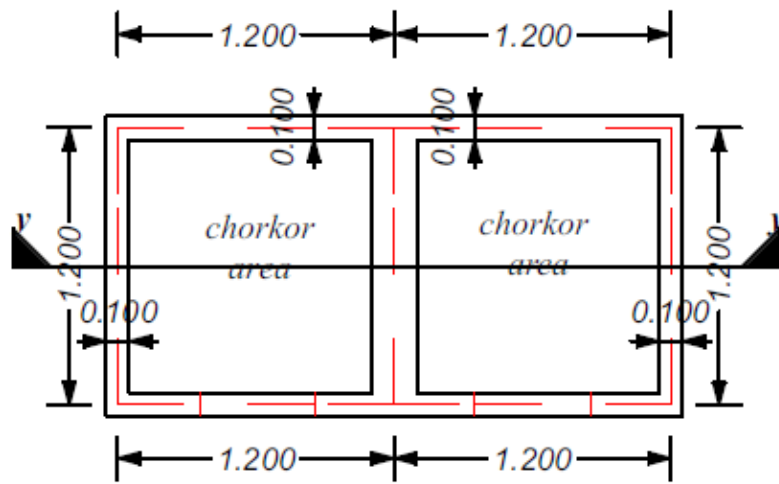
Item	Description	Unit	QTY	Rate (US\$)	Amount (US\$)
1.0	Earth & CONCRETE WORKS				
	This shall Include filling around foundations, under floor slab, application of Anti termite of approved type, Concrete works shall include provision of grade 25 concrete for foundations footings, floor slab, concrete platform for fish processing, and all the necessary reinforcement works.				
1.1	Mur rum for filling.	Trip	3.00		
1.2	Aggregate for all concrete works.	Trip	2.00		
1.3	Sand for all concrete works.	Trip	2.00		
1.4	Cement for all concrete works.	Bag	40.00		
1.5	Supply of A142 BRC Mesh to reinforce the Floor slab & the platform	Roll	1.00		
1.6	Hoop Iron	Roll	1.00		
1.7	Anti - termite treatment to fillings and tops of foundations.	Tin	1.00		
	Total carried to collection				0.00
2.0	MASONRY WORKS				
	This shall Include construction of Plinth wall, Brick works for the smoking oven, Fish processing platform and plastering works.				
2.1	Red Bricks for to build under Floor slab	Pcs	1,250.00		
2.2	Red bricks to build the Smoking Oven	Pcs	1,000.00		
2.3	Red bricks to build the Fish Processing Platform	Pcs	525.00		
2.4	Provide sand to build foundation and brick wall.	Trip	2.00		
2.5	Provide cement to build the foundation and the wall.	Bgs.	6.00		
2.6	Provide Mud/clay to build the Smoking oven walls	Trip	2.00		
	Total carried to collection				0.00
3.0	ROOFING WORKS				
	This shall Include supply and fixing of Metal poles as supporting members to the roof structure and supply of all nessecry roofing				

	materials for the Smoking oven shade as specified on the Drawings and instructed by the Site Engineer.				
3.1	Supply of metal pole 50/50/6ms with height of 3 mtrs	No	6.00		
3.2	Roof members spanning 5200mm wide, consisting of 4 x 2 mm timber members fixed to 6 x 4 mm timber wall plate. Rate shall include for painting as specified.	No	3.00		
3.3	Supplying & fixing of Timber purlins , 4 x 2 mm: nailed to roof trusses (<i>measured separately</i>) at 900mm centres: complete with all the required paint works and all necessary supports	m	45.00		
3.4	Supplying & fixing of gauge 28 pre-painted IT4 profiled roofing sheets of approved colour: fixed to timber purlins (<i>measured separately</i>) and rubber capping to tops of bolts	Pcs	20.00		
3.5	Supplying & fixing of a Facia Board.	Pcs	5.00		
	Total carried to collection				0.00
4.0	IRONMONGAREY WORKS				
	This shall Include supply of Fish Smoking Trays fabricated using steel sections and mesh, Shutters for the oven and shutter for the fish processing platform as specified on the Drawings and instructed by the Site Engineer.				
4.1	Oven shutters	No	2.00		
4.2	Fish processing Platform shutters	No	1.00		
	Total carried to collection				0.00
5.0	WATER SUPPLY, SEWAGE & DRAINAGE WORKS				
5.1	Waste and Sewage Disposal				
	Including Manhole Construction and piping works Type 600 uPVC pipe with all necessary specials laid for internal and external waste and sewage Disposal system buried in brick walls / floor, clipped to any location or laid through ground soil where necessary Note that the rate shall include all the accessories.	Item	1.00		
5.2	Cold Water extension				

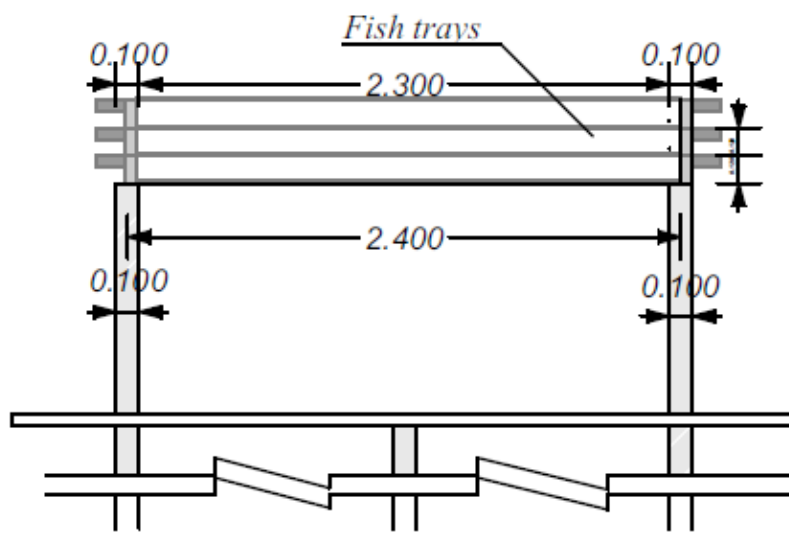
	Allow for cold water extension from existing water system to the fish processing table. Rate shall include supply of pipes of 25mm/32mm, excavation and any all necessary connections valve, two taps, joints etc. to complete the work.	Item	1.00		
5.3	Finishes of fish processing Platform				
	The Fish processing Platform is to be finished with Terrazzo tiles.(smooth with no Joints)	Nos	1.00		
	Total carried to collection				0.00
6.0	Wooden trays				
	This includes manufacturing and supply of 2.4 m X 1.2 m size Wooden tray. The tray is consisting of a wooden frame using 2 timbers of 2X4 size, A142 BRC mesh and wooden handles. (see attached drawings)	Nos	3.00		
6.1	2X4 Timber	Nos	6.00		
6.2	A142 BRC mesh	N0s	3.00		
6.3	2.5 - 3 inches Nails	Kg	1.00		
6.4	4 - 5 inches Nails	Kg	1.00		
	Total carried to collection				0.00
Item	Description				Amount(US\$)
	Collection				
1.0	Earth and Concrete Works				
2.0	Masonry Works				
3.0	Roofing Works				
4.0	Ironmongery Works				
5.0	WATER SUPPLY, SEWEAGE & DRAINAGE WORKS				
6.0	Wooden Trays				
	Total carried to Summary				0.00
Item	Description				Amount(US\$)
	Summary				
1.0	Materials cost				
2.0	Labour Cost 35% of Materials cost				
	Total carried to Summary				0.00

Annex II - Technical drawings of fish smoking facility

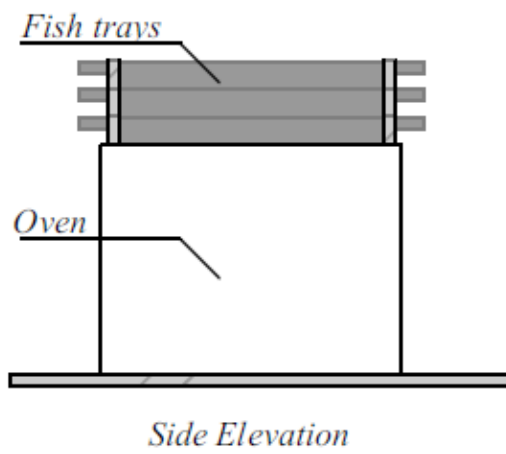
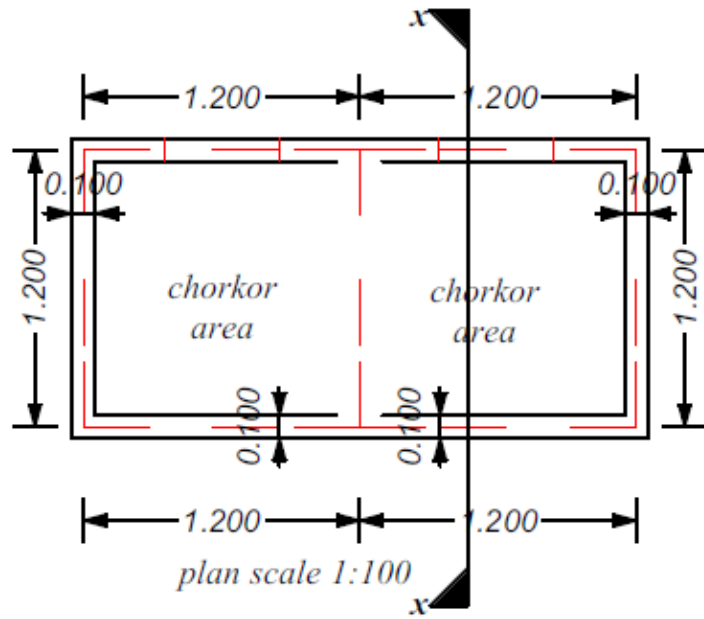


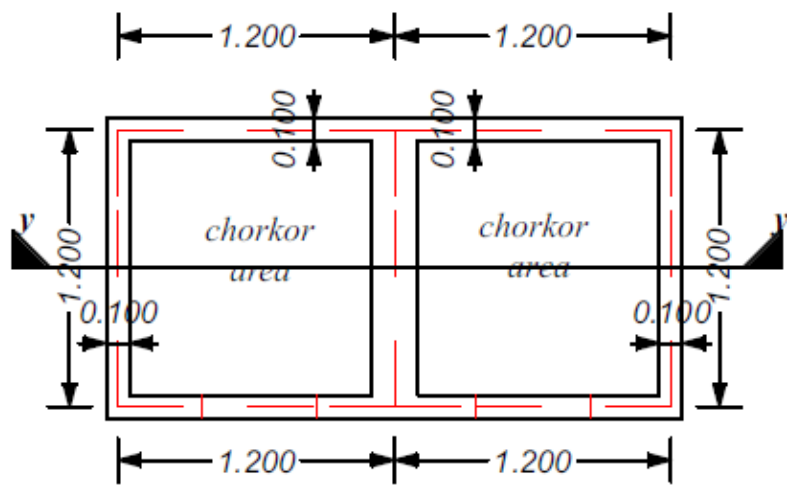


plan scale 1:100

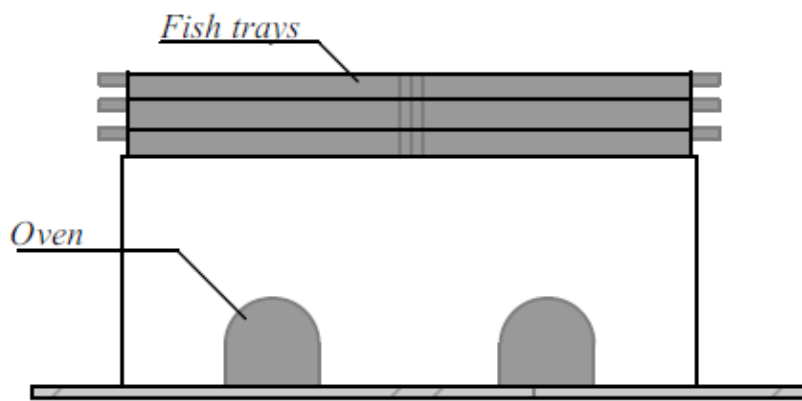


Section X-X





plan scale 1:100



Front Elevation

